



12V Buss Bar

12V Buss Bar

ICM

To DIM 15-A-5

2

TO 13 OF 135A
 TO 3 OF 135A
 TO 2 OF 135A
 TO H OF 125A
 TO 8 OF 125A
 TO 12 OF 125A
 TO 11 OF 125A

Mkr Bcn Ant

Speaker Out

TO 14,2 of 135A & 7 & N of 125A

Pilot Mic
 Shielding
 Pin 1
 Pilot
 Headphones

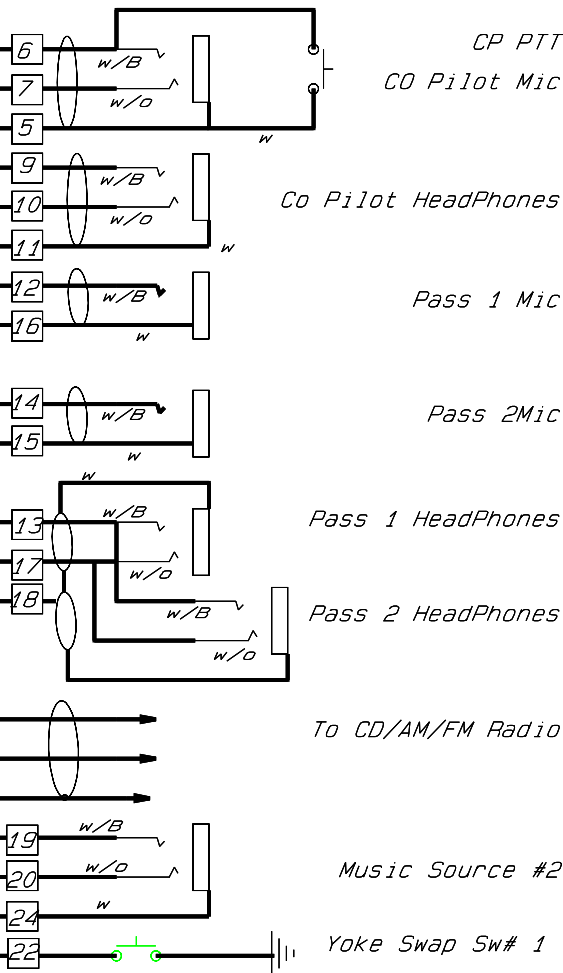
Ground

Aux Inputs
Alt, Etc via diodes

MOL24-B

20 BOTTOM TOP PSA 6000MS Z

10 H 9
 8 V 8
 5 P K 5
 3 R 3
 9 2
 12 B 11
 4 B 4
 15 A D 15
 22 W 5
 1 E 15
 11 Y 13
 8 12 17
 3 N 18
 1 Z
 16
 15
 14 T T
 13 R 19
 20 20
 24 W
 10 22



RayAllen SW#4
 Left side of stick
 momentary down
 PS6000 Com swap

HTR

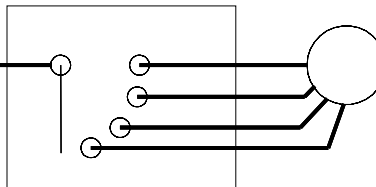
Molex Part#
 03-12-1026
 03-12-2026

1 0

To DIM 15-A-5

HEAT SWITCH

FAN



4 Speed Fan Switch